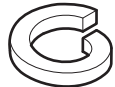


A67018

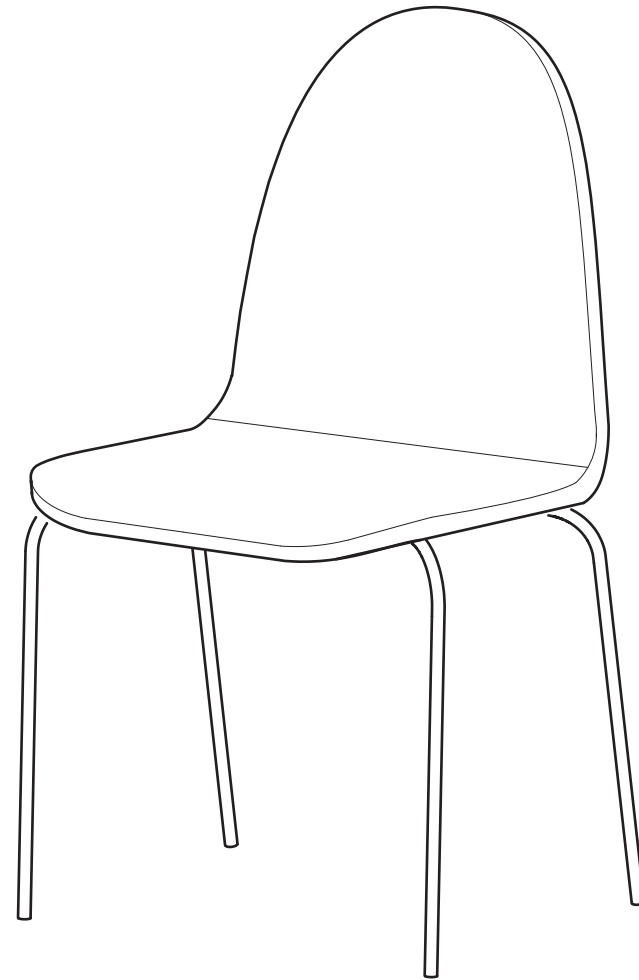
M6x12

4x

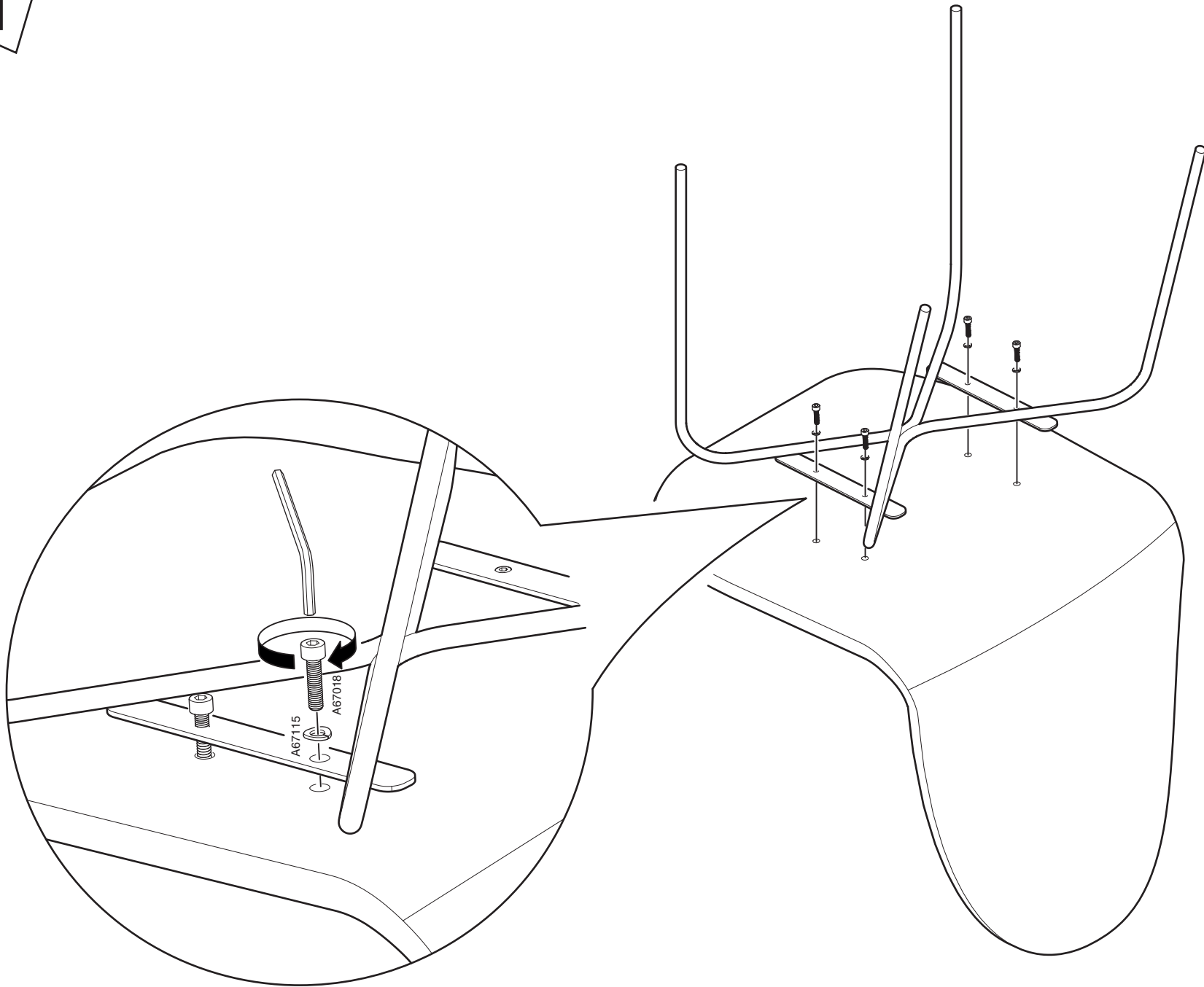


A67115

4x

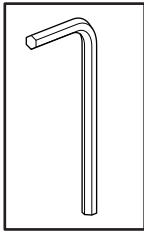


1





# REPAIR & DISASSEMBLY



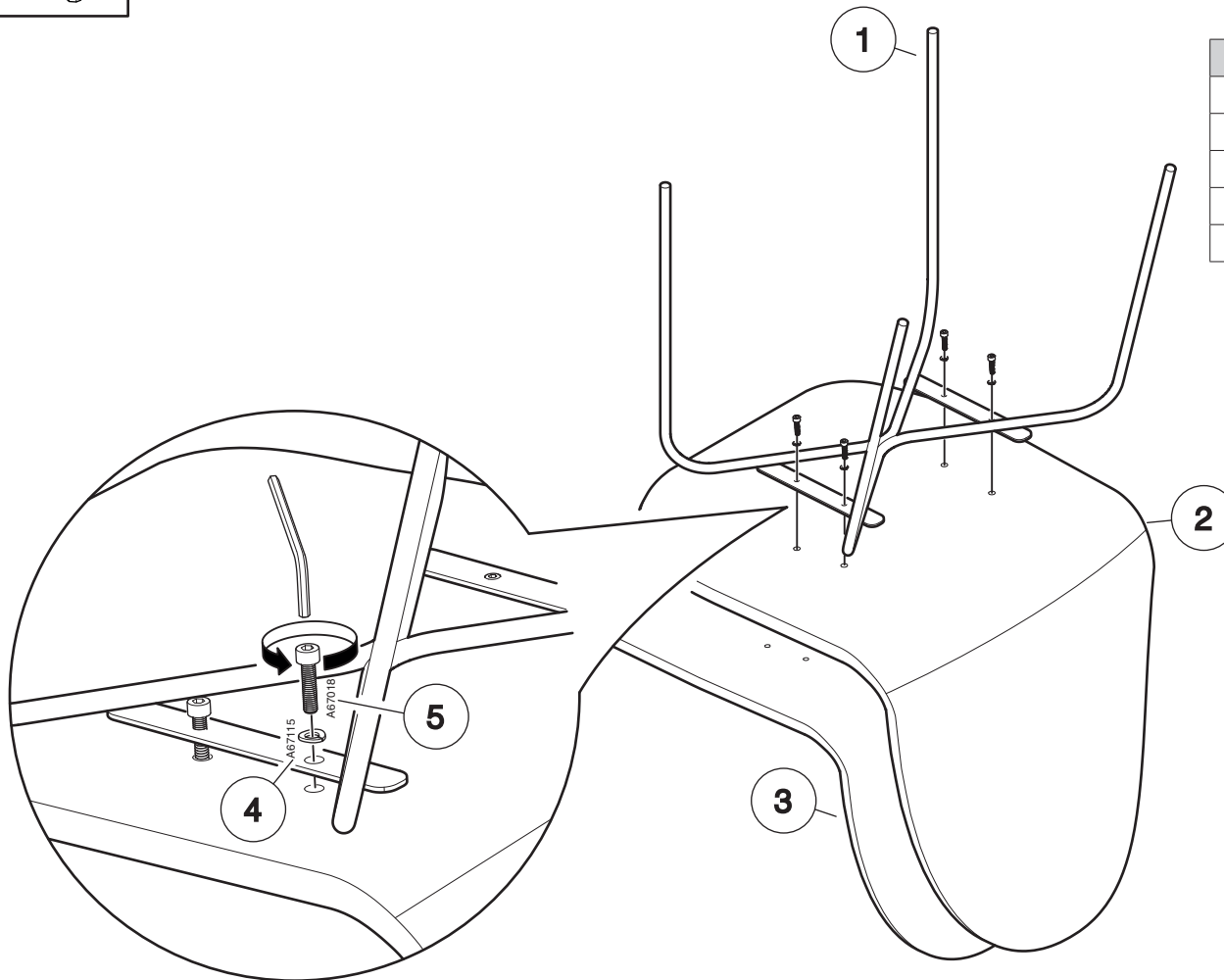
## REPAIR

Carefully remove the broken part and secure the new one in its place using appropriate tools and hardware shown in either in the assembly instructions or illustration below. Contact Aj Products for available spare parts.

## DISASSEMBLY

To disassemble the furniture for proper recycling, start by removing all screws and fasteners, then separate materials like wood, metal, and fabric before taking them to the respective recycling facilities.

Part	Description	Material	Spare part number
1	Legs	Metal	-
2	Textile seat	Textile	-
3	Plywood seat	Wood	-
4	Locking washer	Metal	A67115
5	Machine screw	Metal	A67018



Contact your local Aj seller for spare parts.

