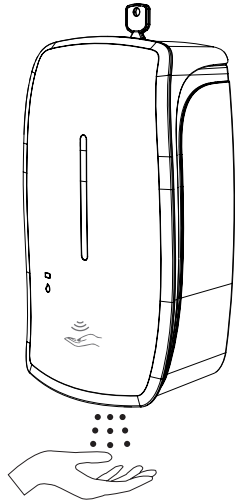


# User Manual

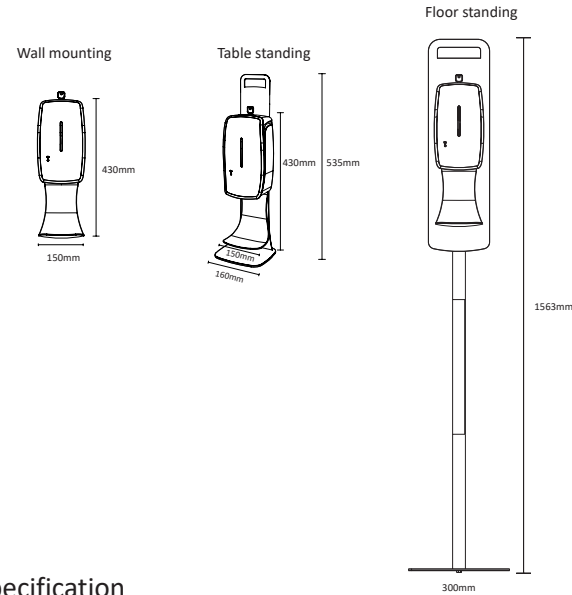
## Auto Touchless Hand Sanitizer Dispenser

Mod. HSD-201740



Please read this manual before use.

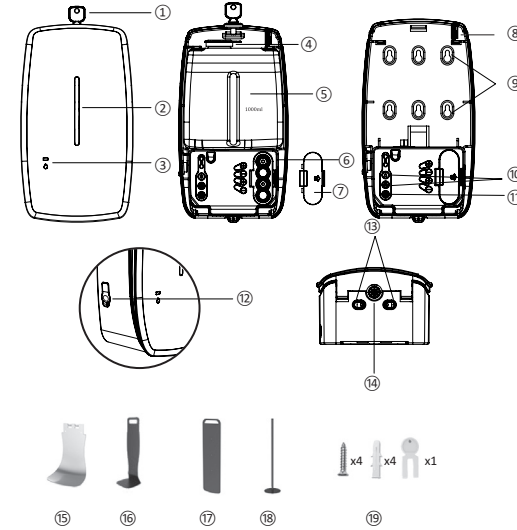
### Product models



### Specification

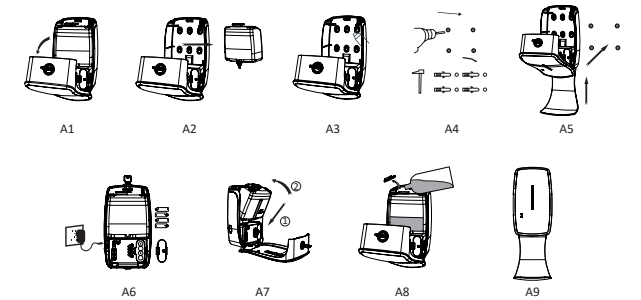
Model: HSD-201740  
Sensor: Infrared  
Sensor Range: 2-10 cm  
Material: ABS White  
Capacity: 1000 ml  
Outlet: Gel  
Powered: 4 x AA batteries (Not included)  
Compatible: AC / DC adaptor 6V 1A (Optional)

### Parts list



- ① Key
- ② Liquid visible window
- ③ LED indicator
- ④ Plastic container lid
- ⑤ Refillable plastic container
- ⑥ Battery holder
- ⑦ Battery cover
- ⑧ Key holder
- ⑨ Installation holes
- ⑩ Adjustable button
- ⑪ Power switch (On/Off)
- ⑫ AC/DC adapter connector
- ⑬ Infrared sensor
- ⑭ Liquid spout
- ⑮ Tray
- ⑯ Table stand
- ⑰ Backplate
- ⑱ Floor stand
- ⑲ Mounting kits & key

### Wall Mounting Instructions



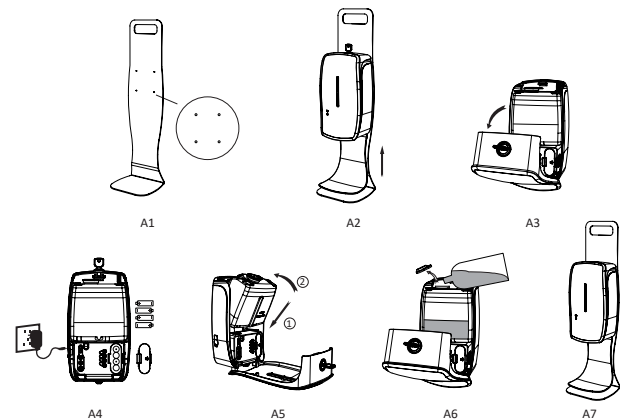
### HSD-201740-WM

- A1, Press the button on the top to open the front cover.
- A2, Remove the refillable plastic container.
- A3, Mark wall anchors by the body of machine on the wall.
- A4, Drill  $\Phi 6 \times 30 \text{mm}$  and insert anchors in the wall, then fix with 4 screws into anchors.
- A5, Attach the drip tray to the dispenser and hang the machine on the wall.
- A6, Install batteries or connect the DC 6V 1A adaptor (Optional).
- A7, Lean the plastic container slightly, install back following the two arrows and push the plastic container locked by the buckles.
- A8, Open the plastic container lid and fill in the suitable content.
- A9, Close the cover and lock it.

### Caution:

- 1. Please ensure the nozzle of plastic container bottom is installed into the nozzle connector completely to avoid the content leakage.
- 2. Use the dispenser a few times to remove air out to use for proper operation after refill.

## Table Standing Instructions



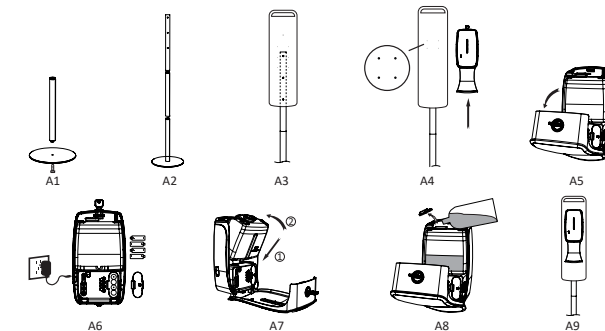
### HSD-201740-TS

- A1, Fix 4 screws into the stand.  
 A2, Attach the drip tray to the dispenser, and hang the machine on stand.  
 A3, Press the button on the top to open the front cover.  
 A4, Install batteries or connect the DC 6V 1A adaptor (Optional).  
 A5, Lean the plastic container slightly, install back following the two arrows and push the plastic container locked by the buckles.  
 A6, Open the plastic container lid and fill in the suitable content.  
 A7, Close the cover and lock it..

#### Caution:

1. Please ensure the nozzle of plastic container bottom installed into the nozzle connector completely to avoid the content leakage.
2. Use the dispenser a few times to remove air out to use for proper operation after refill.

## Floor Standing Instructions



### HSD-201740-FS

- A1, Place a post with nut bottom on the round base and fixed by screw.  
 A2, Screw another two posts extension, and the top post has 3 holes for fixing dispenser.  
 A3, Select right height position of backplate and fix with min. two screws to the post.  
 A4, Fix 4 screws to the backplate, attach the drip tray to the dispenser, and hang the machine on backplate.  
 A5, Press the button on the top to open the front cover.  
 A6, Install batteries or connect the DC 6V 1A adaptor (Optional).  
 A7, Lean the plastic container slightly, install back following the two arrows and push the plastic container locked by the buckles.  
 A8, Open the plastic container lid and fill in the suitable content.  
 A9, Close the cover and lock it..

#### Caution:

1. Please ensure the nozzle of plastic container bottom installed into the nozzle connector completely to avoid the content leakage.
2. Use the dispenser a few times to remove air out to use for proper operation after refill.

## Operation Instruction



#### ON/OFF Operation

Press ON/OFF button (11), blue light flashing once means ON, yellow light flashing once means OFF.

#### Operation

Place hand below the dispenser, a blue light will flash steady and the nozzle will dispense.

The sensor range is 2 - 10 cm.

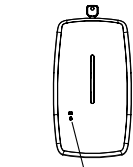
- \* Use the dispenser a few times to remove air out to use for proper operation after refill.
- \* A little moisture in the dispenser is normal.



#### Adjustable Dosage

There are 4 levels to adjust volume. Default is level one with lowest volume.

- \* "▲" button to lower volume.
- \* "▲▲" button to larger volume.



#### Battery Alert

Low battery alert but unit will still dispense. The yellow light will flash once every 3 seconds, place hand below the dispenser, a blue light will flash steady and the nozzle will dispense. Please replace with new batteries soon.

Low battery alert but unit does not dispense. The yellow light will flash once every 3 seconds, place hand below the dispenser, yellow light will flash twice and the nozzle will not dispense. Please replace with new batteries immediately.



#### Obstruction Alert

The blue light will flash constantly if there are obstacles under the sensor.

#### Cover Alert

The blue and yellow lights will flash once every 3 seconds when the cover is open.

#### Lock/unlock

Lock: Insert the key and turn from horizon to vertical.  
 Unlock: Turn the key from vertical to horizon.

## Trouble shooting

1. Yellow indicator shine: battery low, please replace with new batteries.
2. Blue light constant flashing: remove any obstacles under the sensor.
3. Blue and yellow lights flash once every 3 seconds: Lock back the cover.

## General Warning

**Children should be supervised to ensure that they do not play with the appliance.**

- ⚠ Do not use corrosive detergent or solvent to clean.
- ⚠ Remove the batteries if the dispenser will not be used for one month or more.
- ☞ Do not place the product near or exposed to direct sunlight.
- ☞ Do not allow water rinsing appliance directly.
- ☞ Do not attempt to repair or change any parts by yourself.
- 🔥 Keep away from any fire and heat sources.
- ✔ Keep cleaning the appliance regularly.
- ✔ Keep the operation gently.
- ✔ Always keep the hygiene of refillable plastic container.
- ✔ Keep the floor standing in a safe location.
- ✔ The floor standing should be additional fixed on the floor if necessary.

## Disposal



This device must be disposed of in accordance with local regulations.

