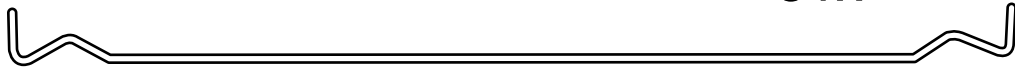


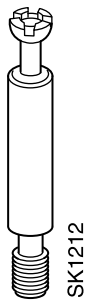
51x

PR1515



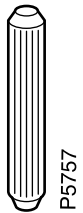
104x

KM1414



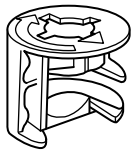
SK1212

18x



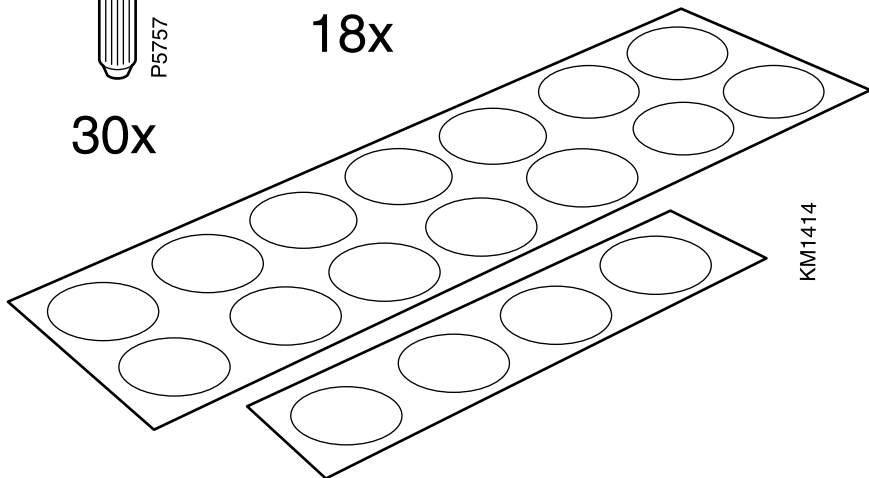
P5757

30x

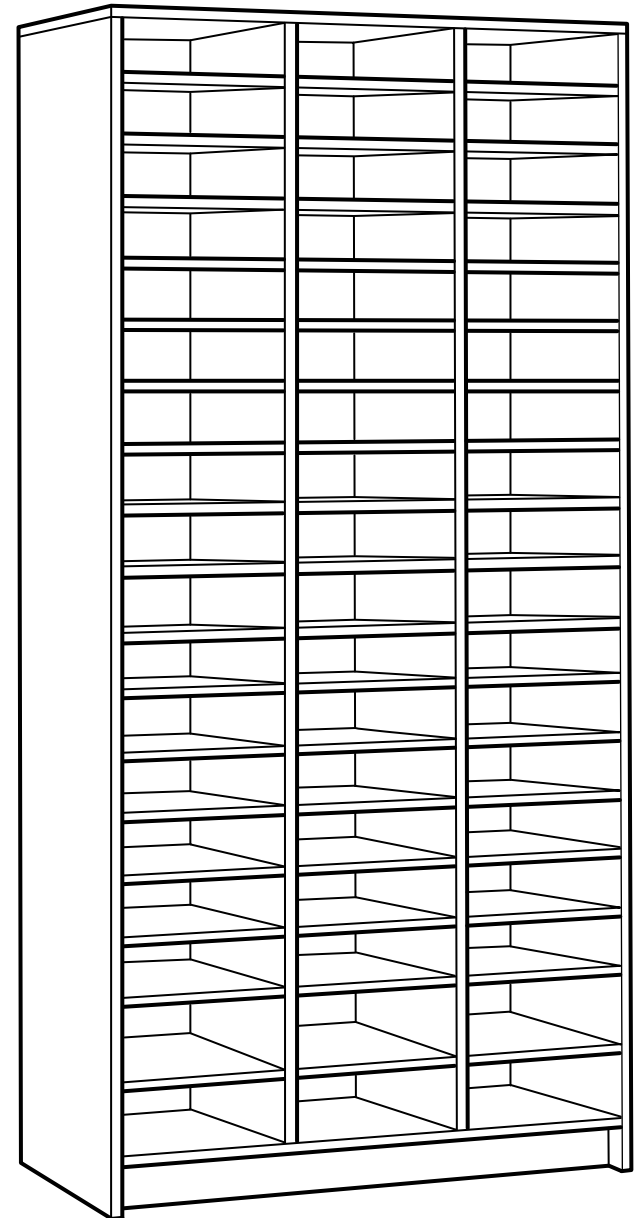


AD3200

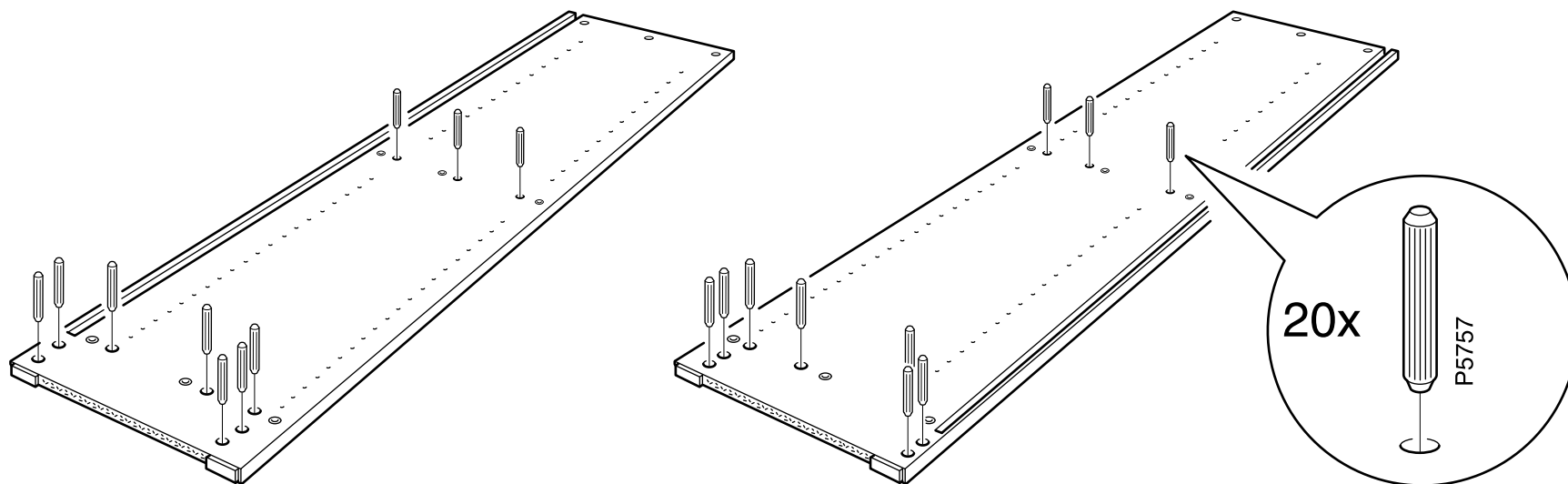
18x



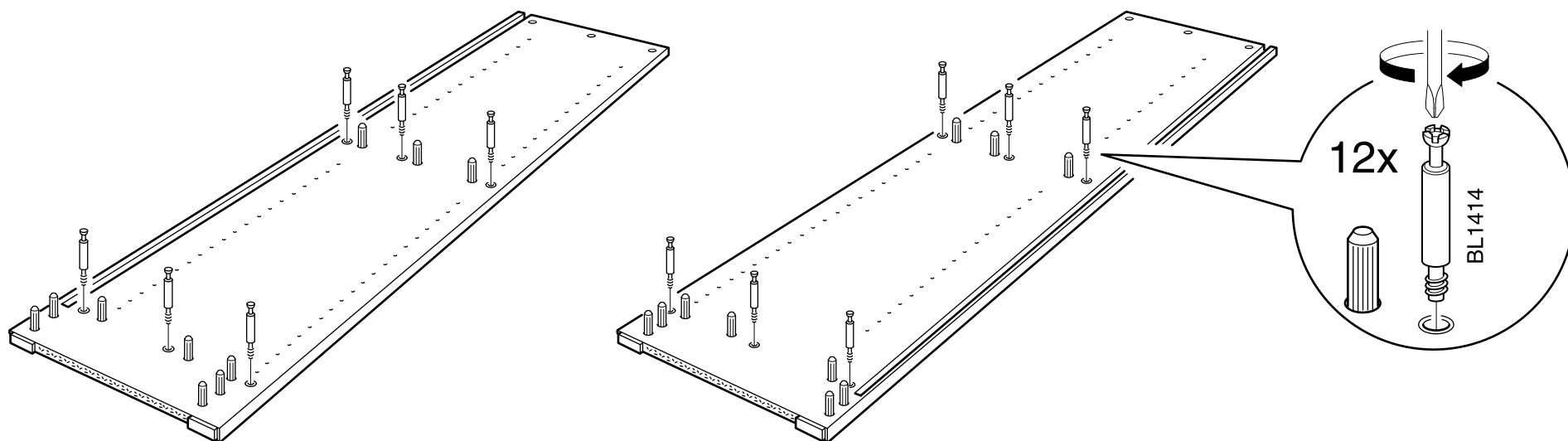
KM1414

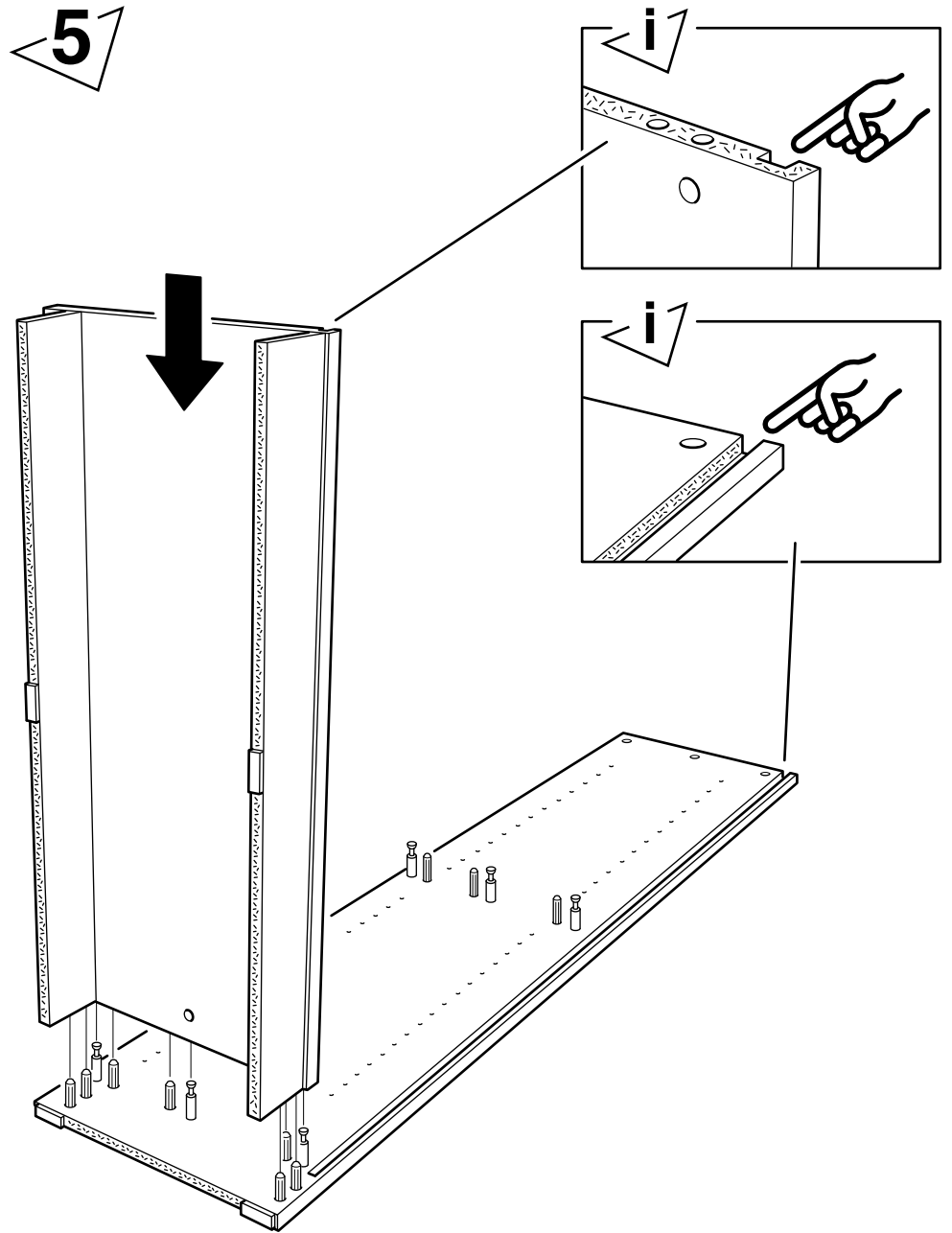
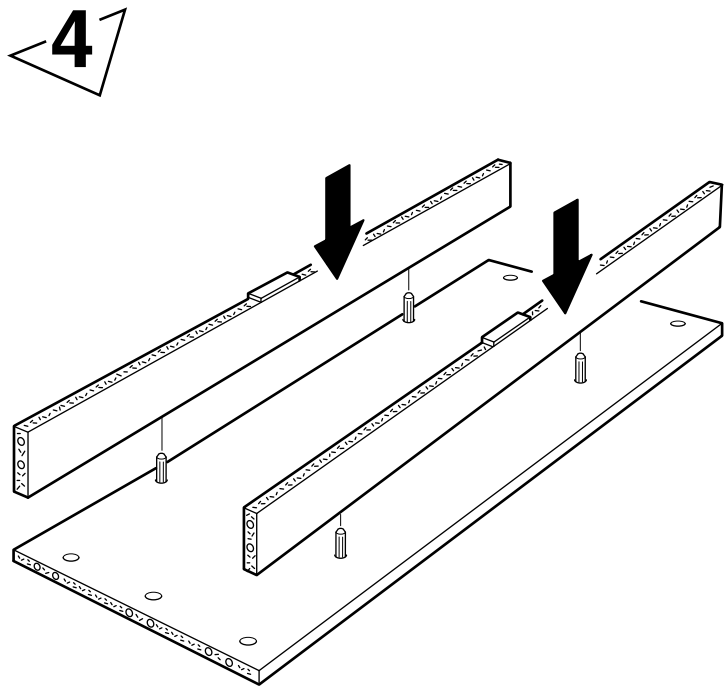
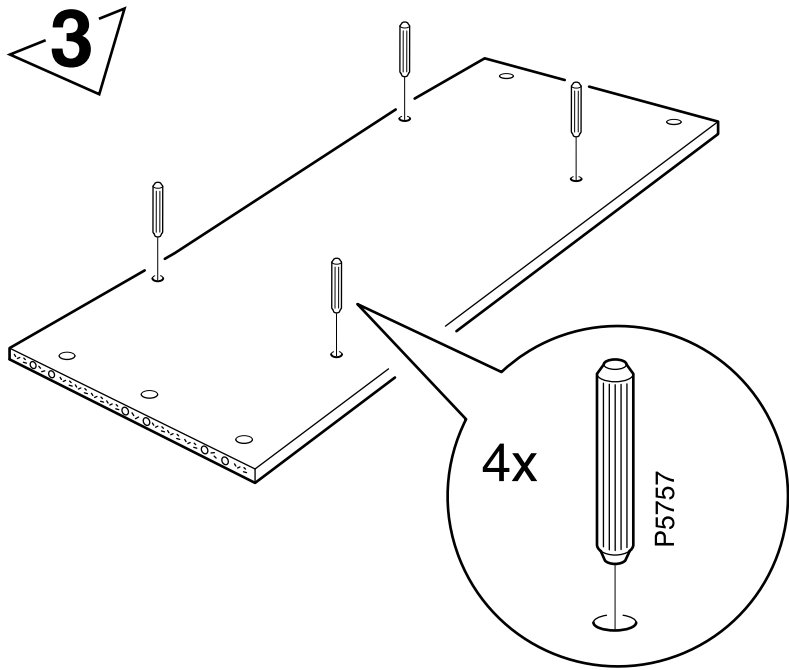


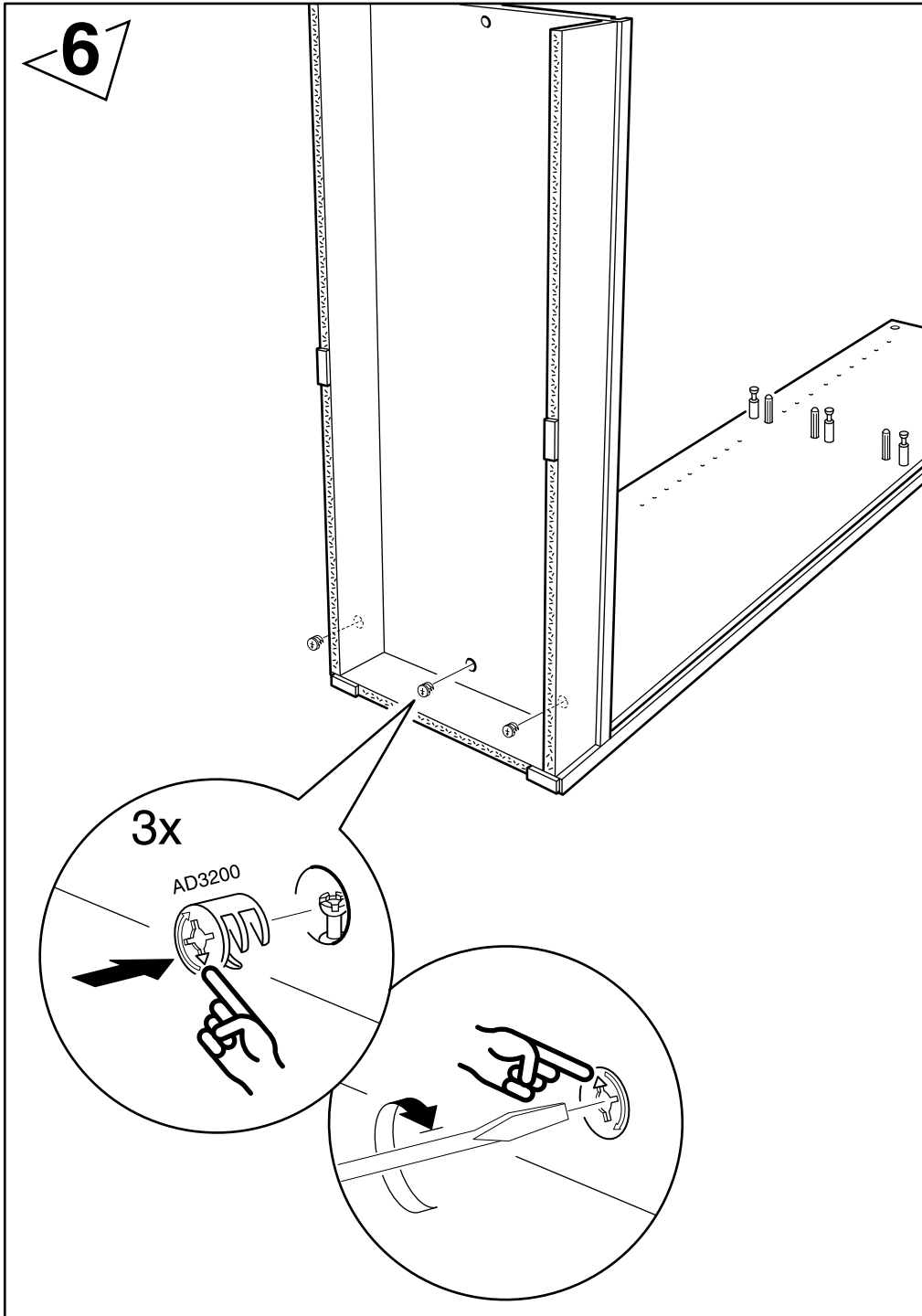
1



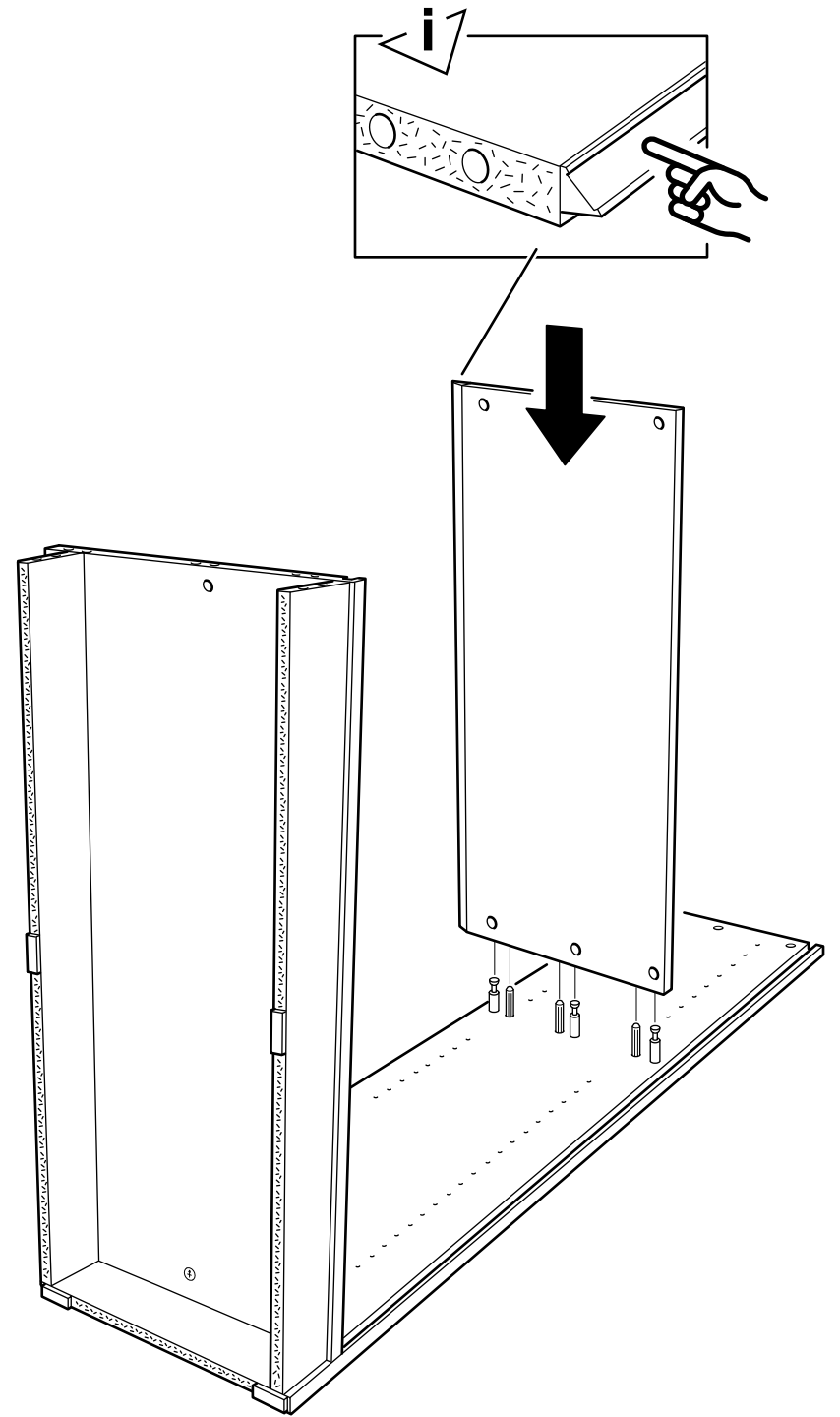
2



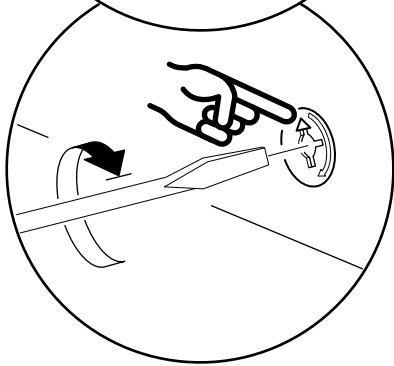
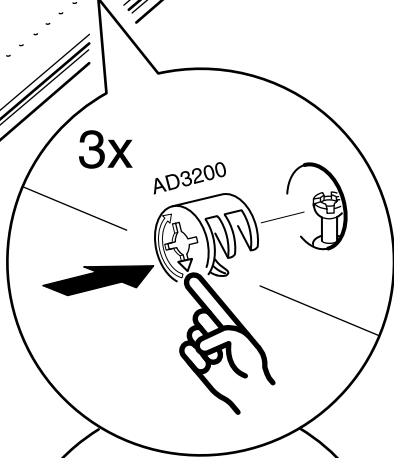
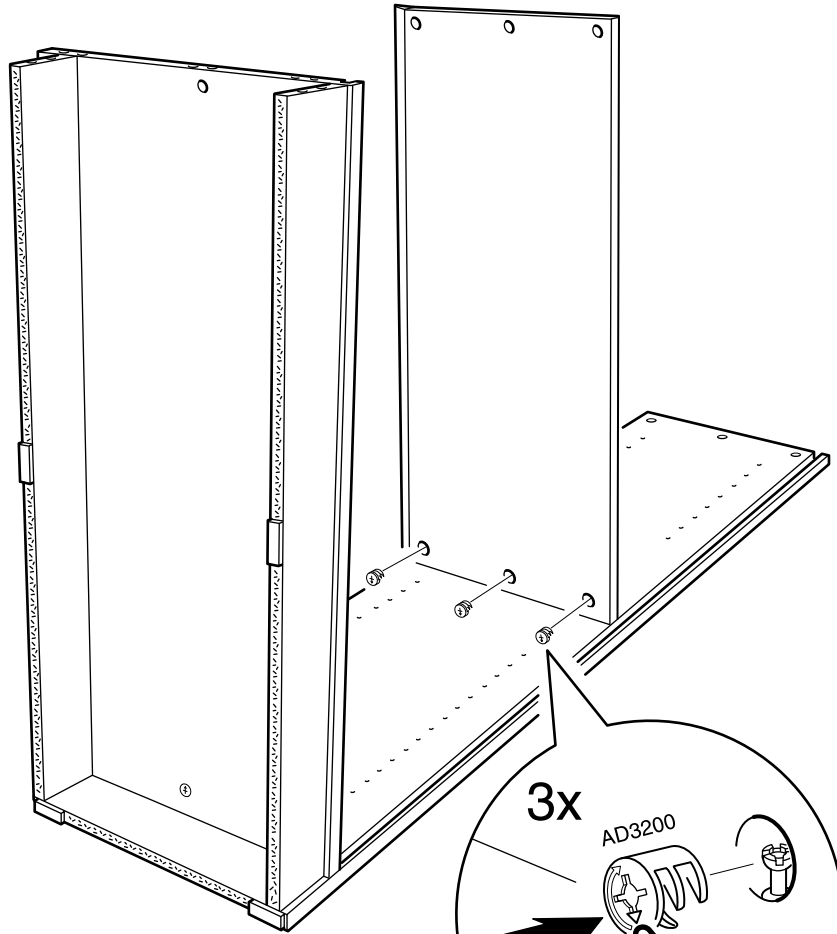




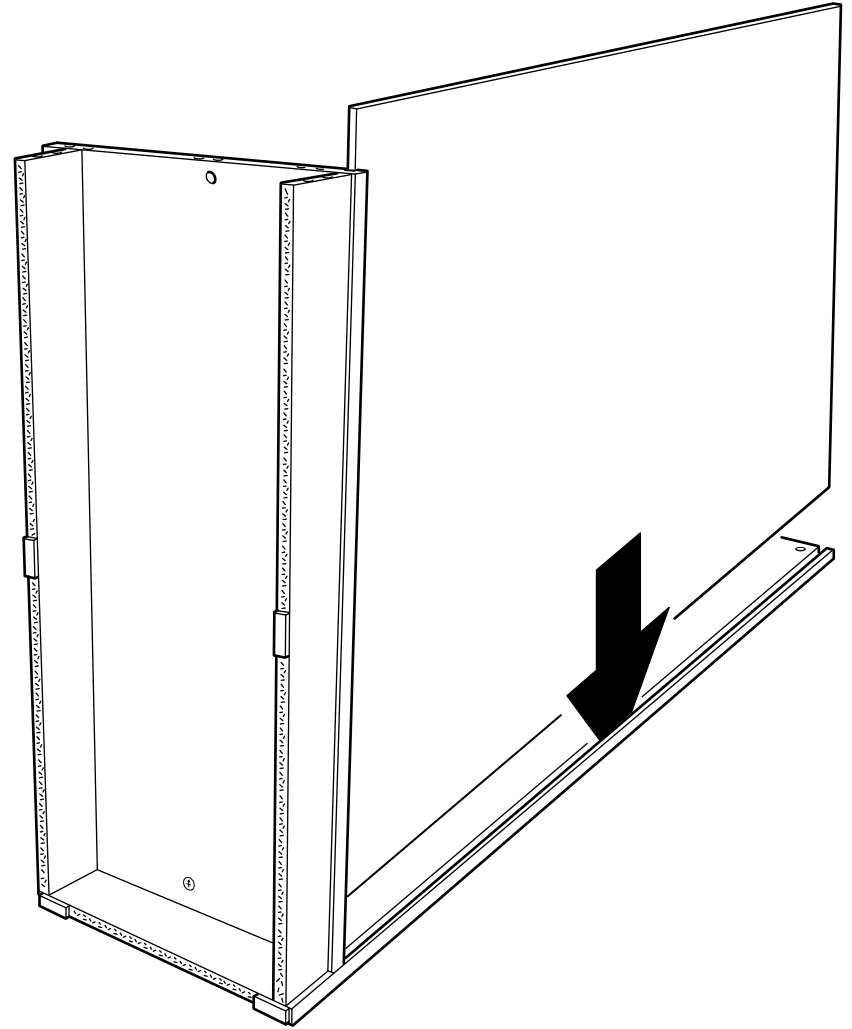
7



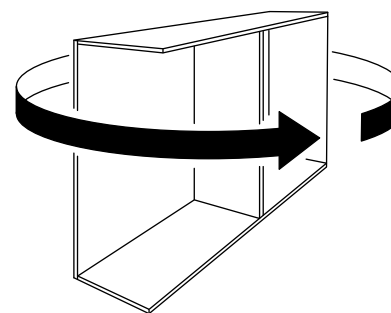
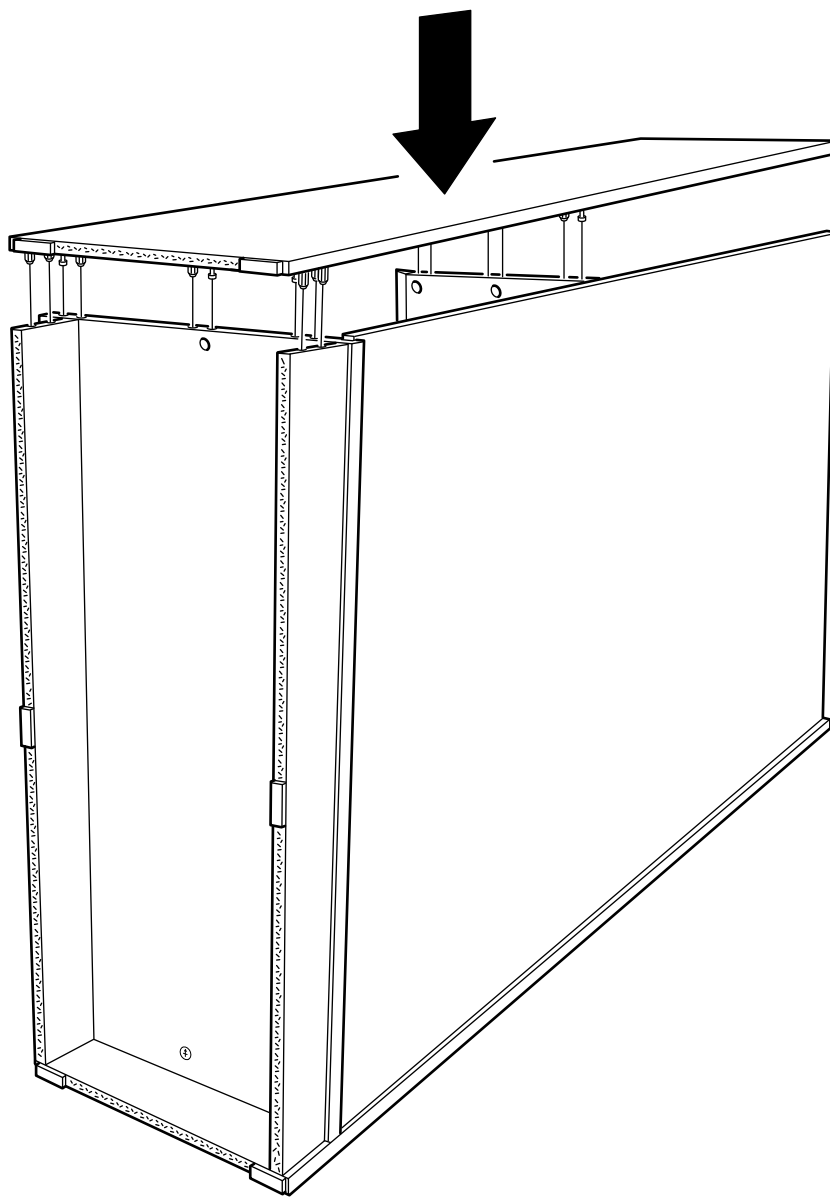
8



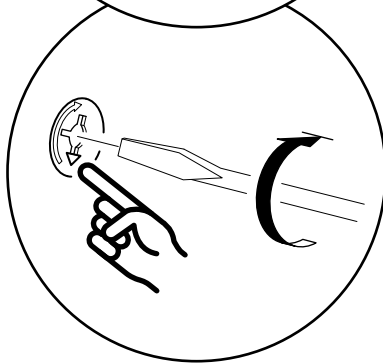
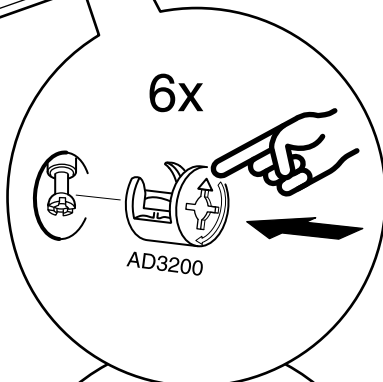
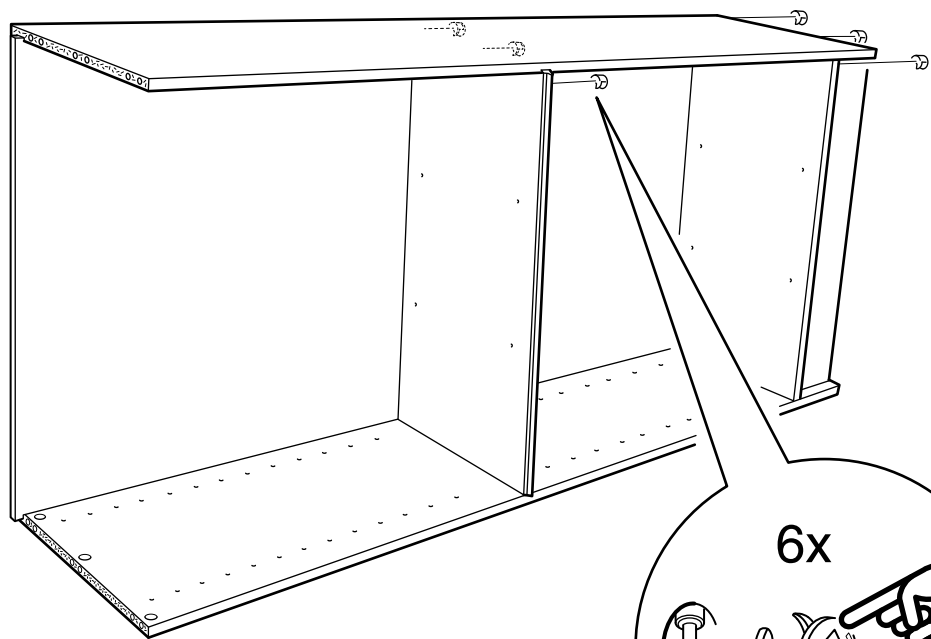
9



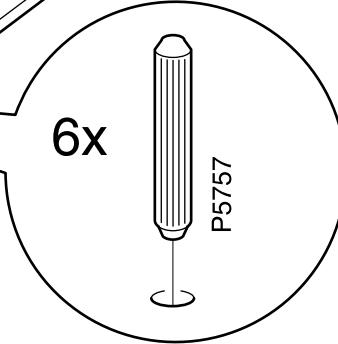
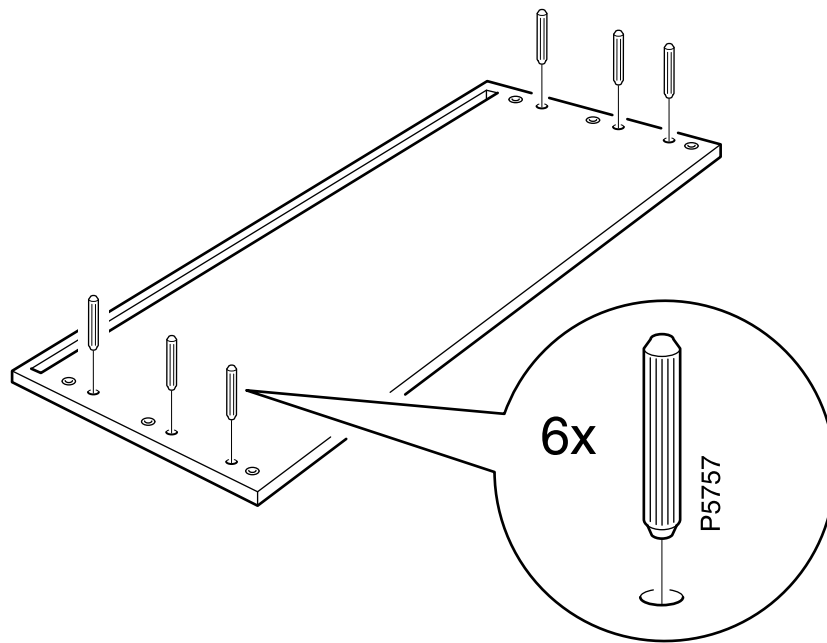
10



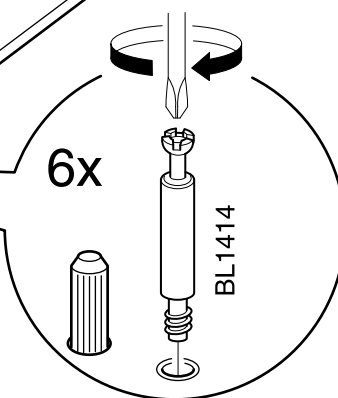
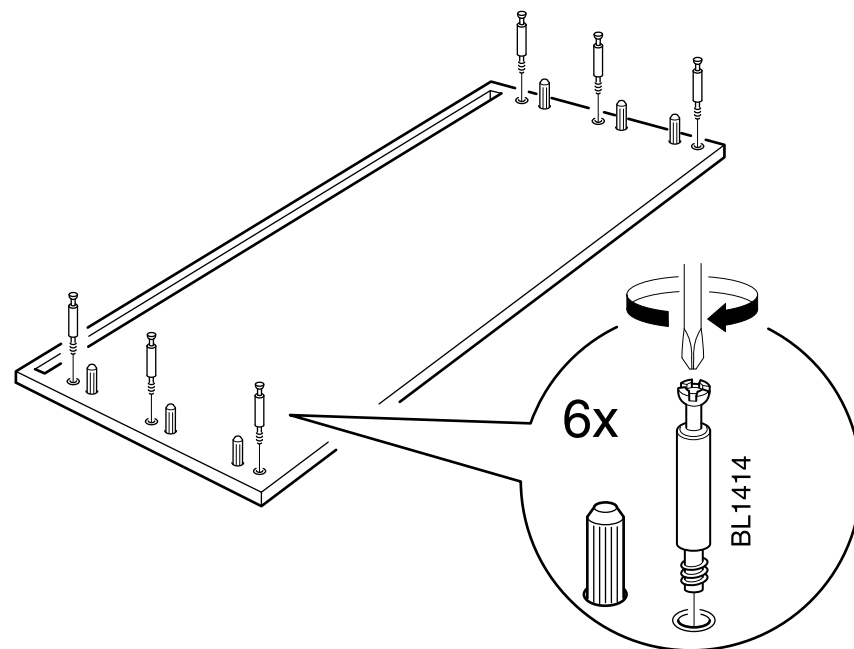
11



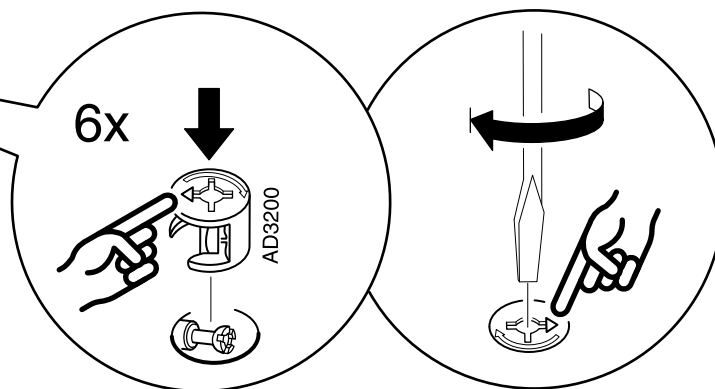
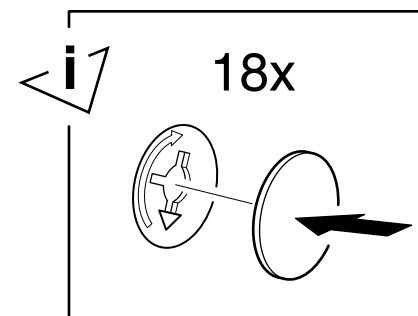
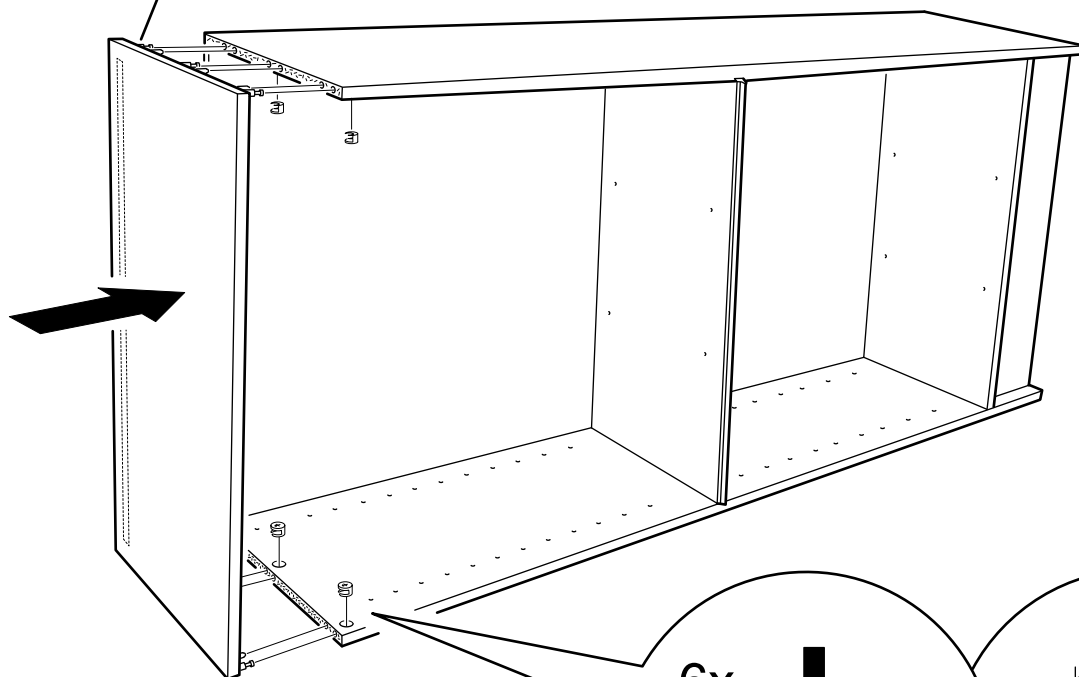
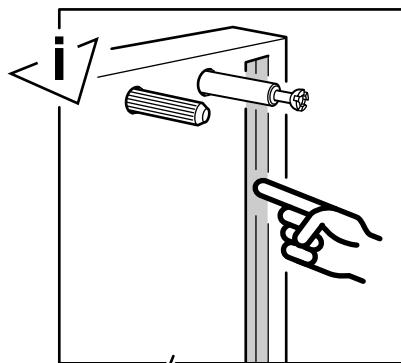
12



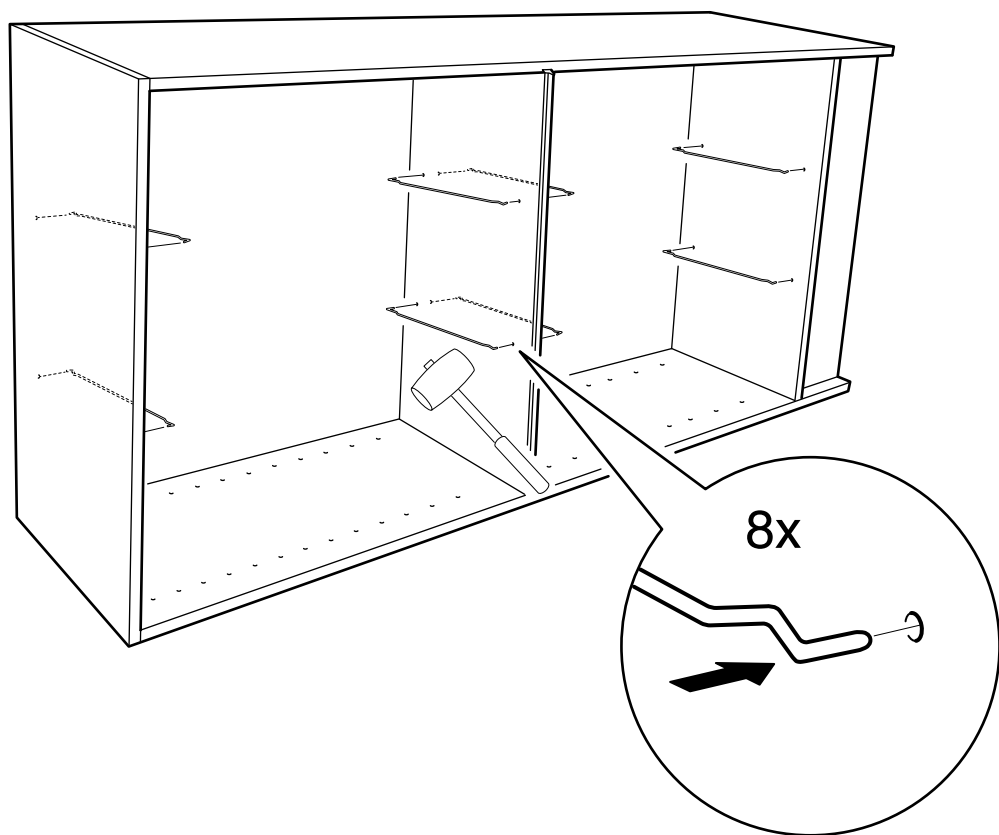
13



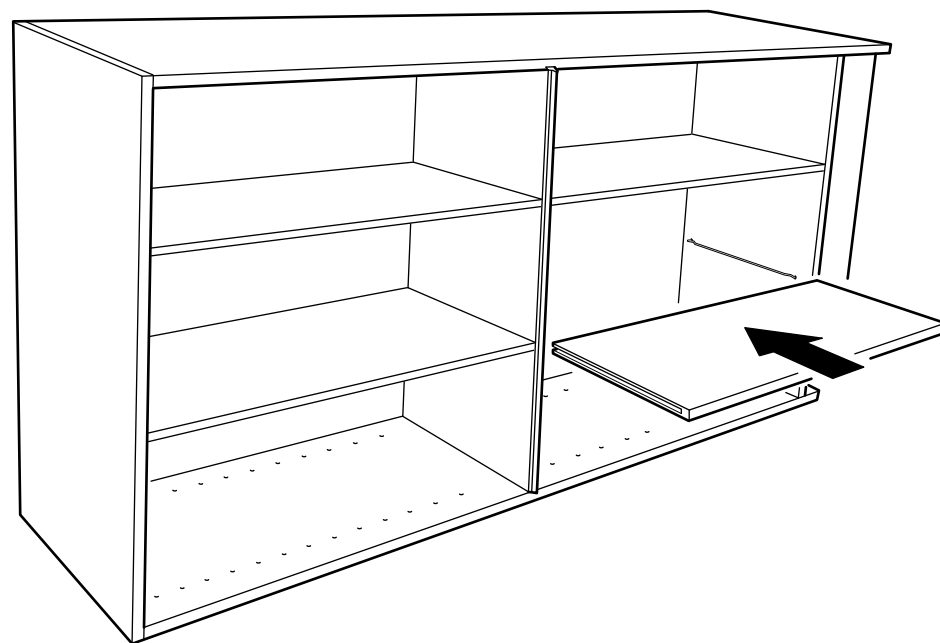
14



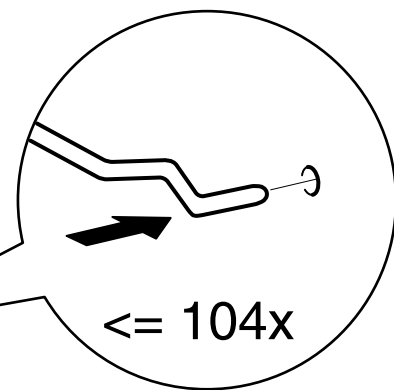
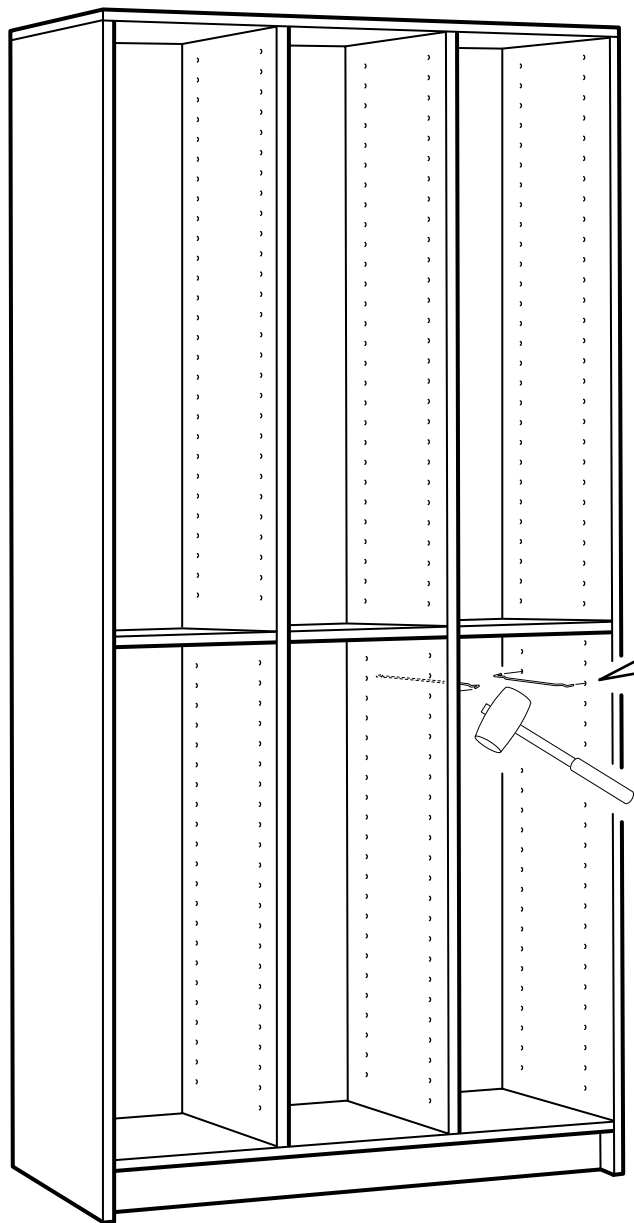
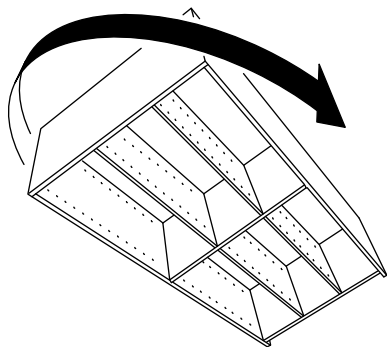
15



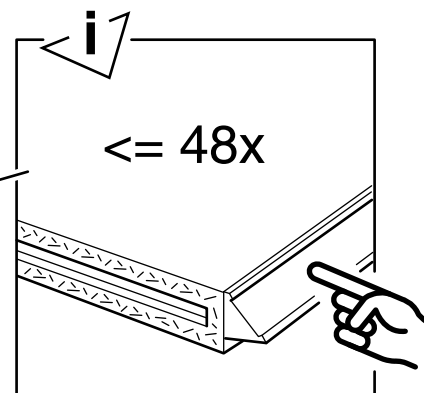
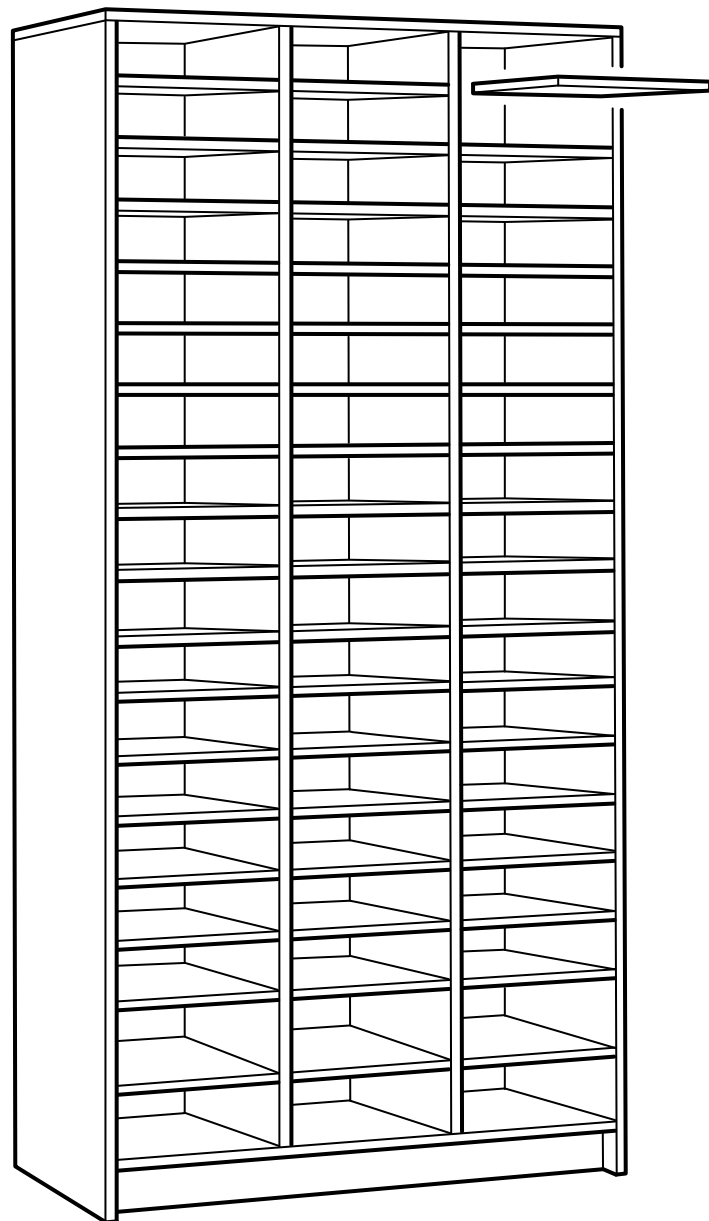
16



17



18



19

