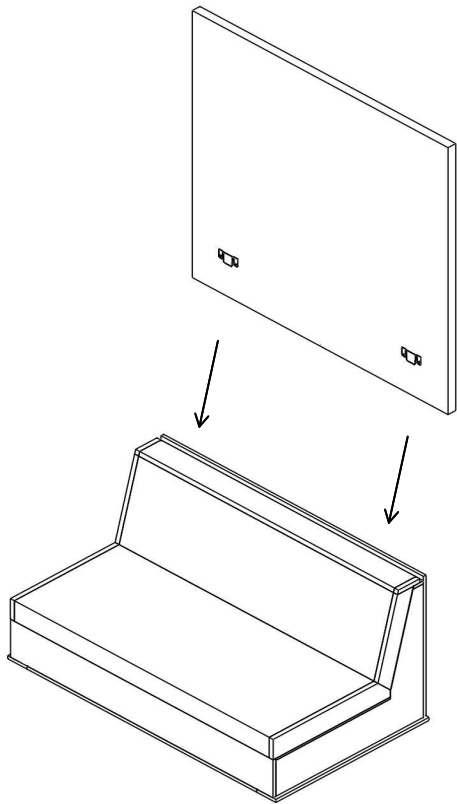
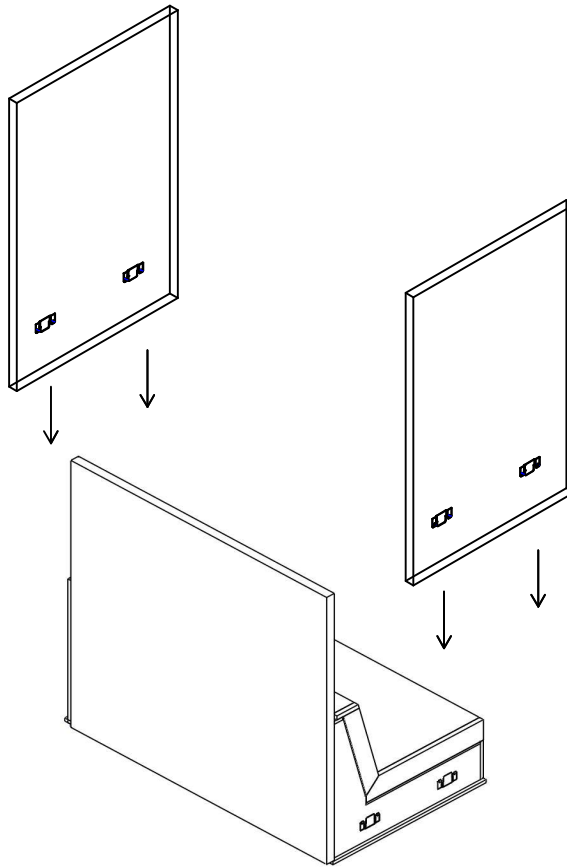


CUBE

1 Fit back panel to the seater



2 Fit side panels to the seater



3 Connect the corners together

